

Creo® Tolerance Analysis Extension Powered by CETOL™ Technology

ANALYZE GEOMETRIC TOLERANCE AND VARIATIONS

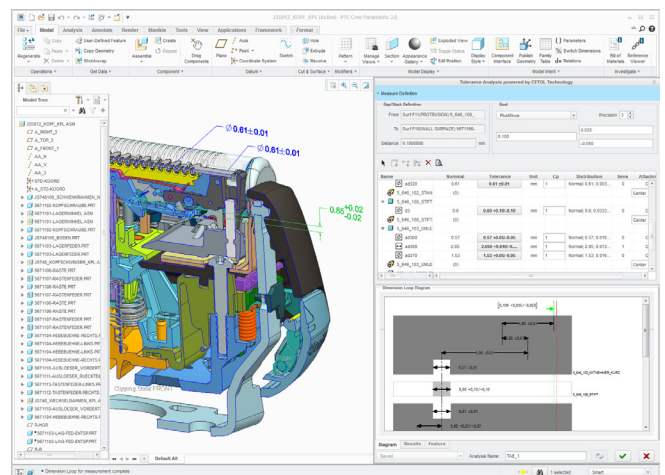
To deliver high quality products to market faster, designers must understand tolerances and the impact of manufacturing variation on their product designs.

With Creo Tolerance Analysis Extension (TAE) powered by CETOL Technology, design engineers gain powerful tolerance analysis capabilities within their design environment. You can easily analyze, visualize, and understand the geometric tolerance stack-up and dimensional variation that impacts your design.

Optimize design for manufacturability

Designers need best-in-class solutions to meet the challenging demands of a competitive global marketplace. Designers must be able to see tolerances and variations on their design models, analyze sensitivities, and visualize cumulative tolerances in order to understand the impact and engineer robust designs that won't fail downstream in the manufacturing process. Analyzing and incorporating manufacturing tolerances and variation constraints early in the design process saves both time and cost.

Creo Tolerance Analysis Extension powered by CETOL Technology provides a robust tolerance stack-up and gap analysis solution that is seamlessly integrated into the design environment. You can evaluate the impact of tolerances and dimensioning schemes on the feasibility of product designs. The result: shorter product development cycles, lower product cost, and higher product quality.



Easy-to-use, powerful tolerance analysis capabilities are now integrated directly into the Creo design environment with Creo TAE powered by CETOL Technology.

Key benefits

- Evaluate the impact of tolerances on the manufacturability of designs
- Enable concurrent engineering to ensure designs meet manufacturing requirements
- Six Sigma design methodologies to ensure design quality
- Streamline design processes, improve productivity, and reduce time-to-market

Capabilities and specifications

Easy-to-use capabilities

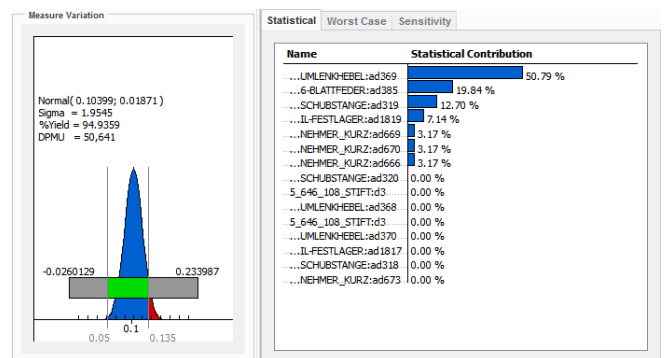
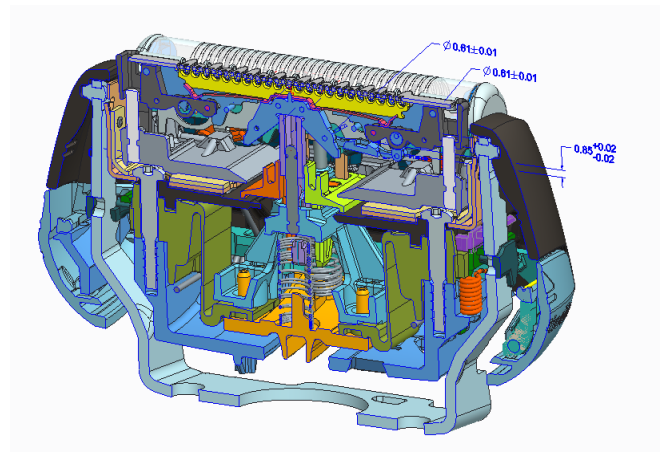
- Integrated graphical user interface is easy to learn and use
- 1D tolerance loops
- Tolerance stack-ups
- Automatic validation of dimensions and dimension loop
- Interactive visualization of the tolerance loop
- Profile and position GTOLS supported
- Tolerance analyses can be saved as a feature in Creo
- Part of assembly-level management of tolerance analyses
- Quickly edit analysis inputs by deleting or substituting components and dimensions

Powerful analysis

- Contribution and sensitivity analysis
- Configurable biasing of pin/hole joints
- Worse-case and statistical analysis
- Reference driving as well as annotation dimensions
- Placeholder components enable simulation of dimension properties that are not accounted for in the CAD model
- Automatically closes gaps in the model

Results

- Contribution and sensitivity output plots
- Automatically generated HTML results report
- View worst case and statistical distributions
- Mean and standard deviation
- Dynamic display of results within the Tolerance Analysis Feature
- Results such as sigma defects per million units (DPMU) and % yield can be saved as parameters in the Tolerance Analysis feature



Creo TAE powered by CETOL Technology lets you graphically view variation and statistical contribution results.

The Creo Advantage

Creo is simple to learn and use, and is available in a variety of packages designed to meet your company's specific needs. Whether you need a cost-effective 3D CAD system that contains all the basic design capabilities, or a comprehensive Product Development System that seamlessly connects your extended supply chain, you'll find exactly what you need in a single, fully scalable solution. Choose the package that fits your needs today. As your needs change and grow, you can easily upgrade to the package that is right for you tomorrow, which leverages the same powerful platform – this means no data translation and a consistent user experience.

Creo Tolerance Analysis Extension powered by CETOL Technology enables designers to create products that are designed for manufacturability. As part of the Creo family of integrated 3D CAD/CAM/CAE solutions, it delivers a distinct advantage for engineers and designers because Creo is fully associative. That means any change made to the design is automatically reflected in all downstream deliverables – without any translation of model information. By eliminating data translation, you not only save time, but you also avoid the possibility of translation errors in your design. Creo gives you everything you need to create and quickly update high-quality, winning designs.

Language support

English, German, French, Italian, Spanish, Japanese, Chinese (Simplified and Traditional), and Korean

© 2016, PTC Inc. (PTC). All rights reserved. Information described herein is furnished for informational use only, is subject to change without notice, and should not be taken as a guarantee, commitment, condition or offer by PTC. PTC, the PTC logo, Product & Service Advantage, Creo, Elements/Direct, Windchill, Mathcad and all other PTC product names and logos are trademarks or registered trademarks of PTC and/or its subsidiaries in the United States and other countries. All other product or company names are property of their respective owners. The timing of any product release, including any features or functionality, is subject to change at PTC's discretion.

J7741-CreoToleranceAnalysisExtensionPoweredbyCETOLTechnology-EN-0816



Visible Edge

1-888-VIS-EDGE (847-3343)

sales@visible-edge.com

www.visible-edge.com